



912V PGM Garment Rolling Racks

Assembling Guide



2pcs – Base Stand



2pcs – Extension arm racks



2pcs - Tops



1 pc – Base Rack



2 pcs – Rack Arms



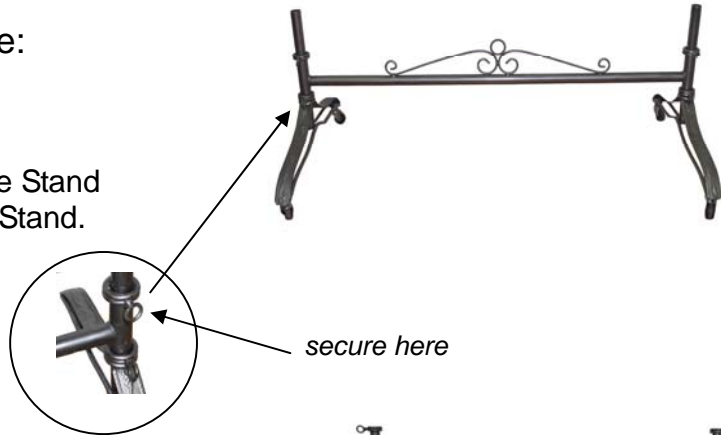
1 pc – Top Rack



Install Instruction Guide:

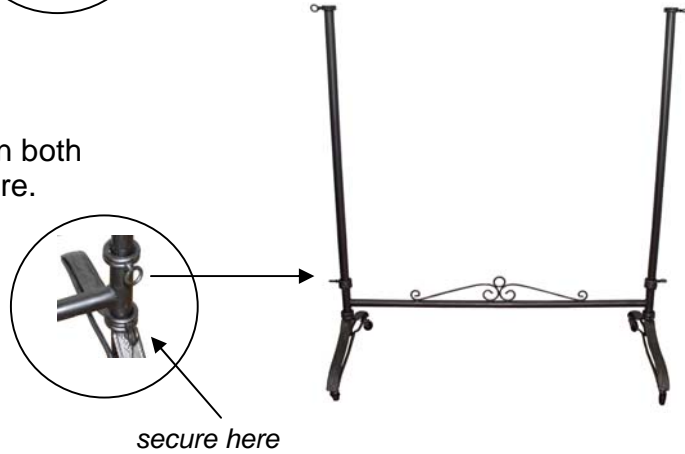
Step 1

Insert Base Rack into Base Stand and secure on each Base Stand.



Step 2

Insert Rack Arms into holes on both sides of Base Stand and secure.



Step 3

Slide Extension Arm Racks over the Top Rack, one on each side, and secure.



Step 4

Insert Completed Top Rack (with Extension Arm Racks already secured) into the Rack Arms, and screw the 2 Tops on.



**Congratulations !!!
Installation complete.**